



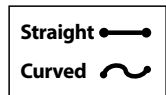
Compact Guidance for any Application

The compact CenterLine 220 is designed to let you profit from GPS lightbar guidance with any field operation. Inside the compact guidance system is a high-quality WAAS/EGNOS GPS receiver and the guidance capabilities that make TeeJet leaders in lightbar guidance.

- Versatile GPS guidance in a compact, portable package.
- LED Lightbar guidance plus a graphical display for complete guidance information.
- High-quality, 5 Hz internal GPS engine with external antenna.
- Simple setup gets you up and running in no time.
- Straight-line (parallel) and curved AB guidance modes.
- Integrated look-ahead functionality anticipates vehicle's future position.
- Return-to-point feature.
- Durable, sealed rubber keypad is easy to see and provides good tactile feedback.
- Provides RADAR-like speed signal output for use with other control systems that require a ground speed signal.



Working Page Layout



Guidance Mode



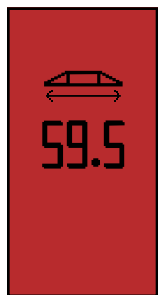
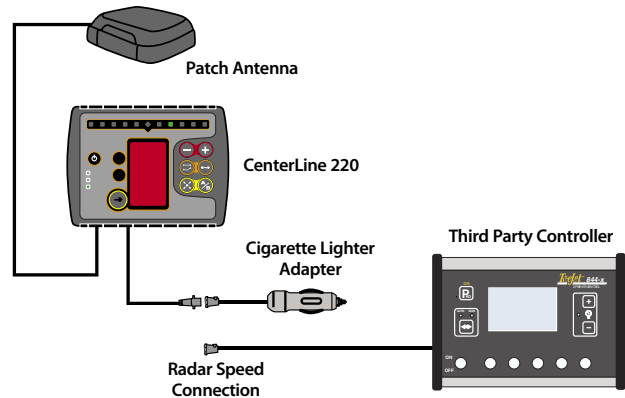
Swath Number

X-Track Direction

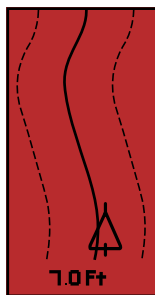
X-Track Distance

Speed

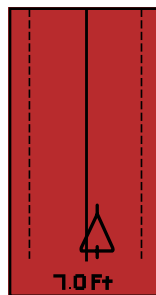
You have a point stored for return-to-point.



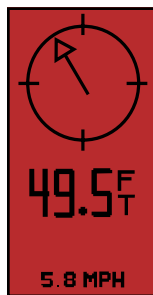
Set Swath Width Screen



View Page Curved AB



View Page Straight AB



View Page Return-to-Point

How to Order

PART NUMBER	DESCRIPTION
90-02340	CenterLine 220 Kit, US Version
90-02341	CenterLine 220 Kit, Metric Version
90-02343	CenterLine 220 Kit, Autonomous Metric Version
90-02342	CenterLine 220 Kit, EGNOS

ACCESSORIES

78-50155	Patch Antenna
90-02349	RAM Mount Kit for CenterLine 220